

# GH 500

## Hygrometry bench

**NEW**

THE HYGROMETRY GENERATOR ALLOWS THE ADJUSTMENT AND CALIBRATION OF MEASURING INSTRUMENTS IN LABORATORY OR ON-SITE.

### DESIGNED FOR PROFESSIONNALS OF METROLOGY

Calibration of several instruments simultaneously

Solid transport case

Aluminium frame

Multi-probe ventilated measuring chamber

Portable instrument


Interchangeable regulating probe

User-friendly



# FEATURES

## MAIN TECHNICAL FEATURES

K38 display	4 red digits, height : 12 mm 3-led bargraph
CPE 310 display	Electroluminescent alphanumeric Protection screen made of inactinic red PMMA
Power supply	110-230 Vac $\pm 10\%$ / 50-60 Hz
Protection	1 A time delay fuse
Consumption	19 W
Operating temperature	From 18 to +25° C (as stable as possible)
Storage temperature	From -10 to + 70° C
Environment	Air, non-aggressive gases, non-corrosive gases
Weight	9 kg
Conformity	EMC 2004/108/CE and NF EN 61010-1 directives
Instrument to connect to earth protection	

## GH 500 IS SUPPLIED WITH :

- 1x PG29 cable gland
- 1x PG21 cable gland
- 1x PG16 cable gland
- 1x PG29-PG21 reducer
- 1x PG29-PG16 reducer
- 7x plug sets
- 1x bottle of demineralised water of 250 ml
- 1x bottle of silica gel of 250 g
- User manual
- 1x power supply

## TECHNICAL FEATURES IN MEASUREMENT AND IN HYGROMETRY GENERATION

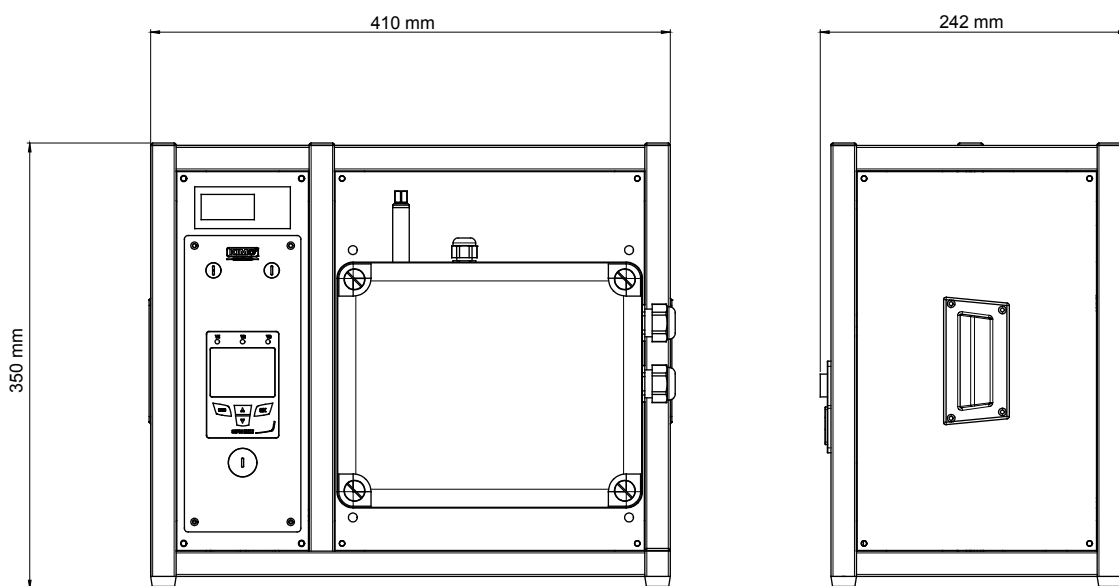
### GH 500

Measuring range	From 5 to 95%RH and from -20 to +80 °C
Accuracy*in measurement	Hygrometry : - Accuracy** (Repeatability, linearity, hysteresis) : $\pm 1.5\%RH$ (from 15°C to 25°C) - Factory calibration uncertainty : $\pm 0.88\%RH$ - Drift linked to temperature : $\pm 0.04 \times (T-20)\%RH$ (if $T < 15^\circ C$ or $T > 25^\circ C$ )
Generation range	From 10 to 85%RH

## WARRANTY

Instruments have 1-year guarantee for any manufacturing defect (return to our After-Sales Service required for appraisal).

## DIMENSIONS



\*All accuracies indicated in this document were stated in laboratory conditions and can be guaranteed for measurements carried out in the same conditions, or carried out with calibration compensation. As per NFX 15-113 and the Charter 2000/2001 HYGROMETERS, GAL (Guaranteed Accuracy Limit) which has been calculated with a coverage factor value of 2 is  $\pm 2.88\%RH$  between 18 and 28°C on the measuring range from 5 to 95%RH. Sensor drift is less than 1%RH/year.

## INSTRUMENT DESCRIPTION

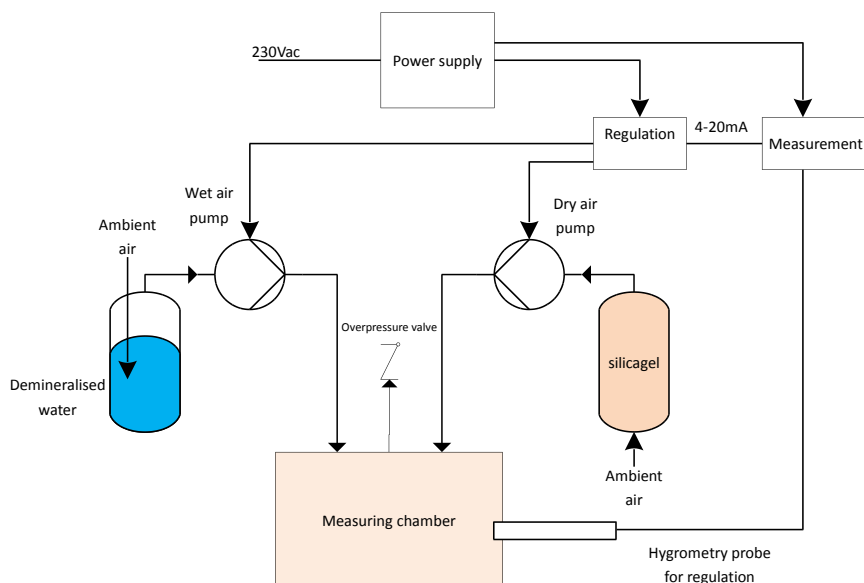


- 01. K38 controller with adjustable setpoints
- 02. K38 keypad : selection of the setpoint value
- 03. CPE 310-S transmitter for measurement of the chamber
- 04. CPE 310-S keypad : configuration of the measurement transmitter
- 05. Blower
- 06. SHSI thermo-hygro measuring probe for CPE 310-S
- 07. Metallic mounting plate to magnetize the instruments

- 08. Anti-overpressure calibrated leakage
- 09. Measuring chamber with front opening
- 10. Cable gland for probes
- 11. Moistening cartridge
- 12. Drying cartridge
- 13. On/Off key
- 14. Power supply

## SIMPLICITY AND STABILITY

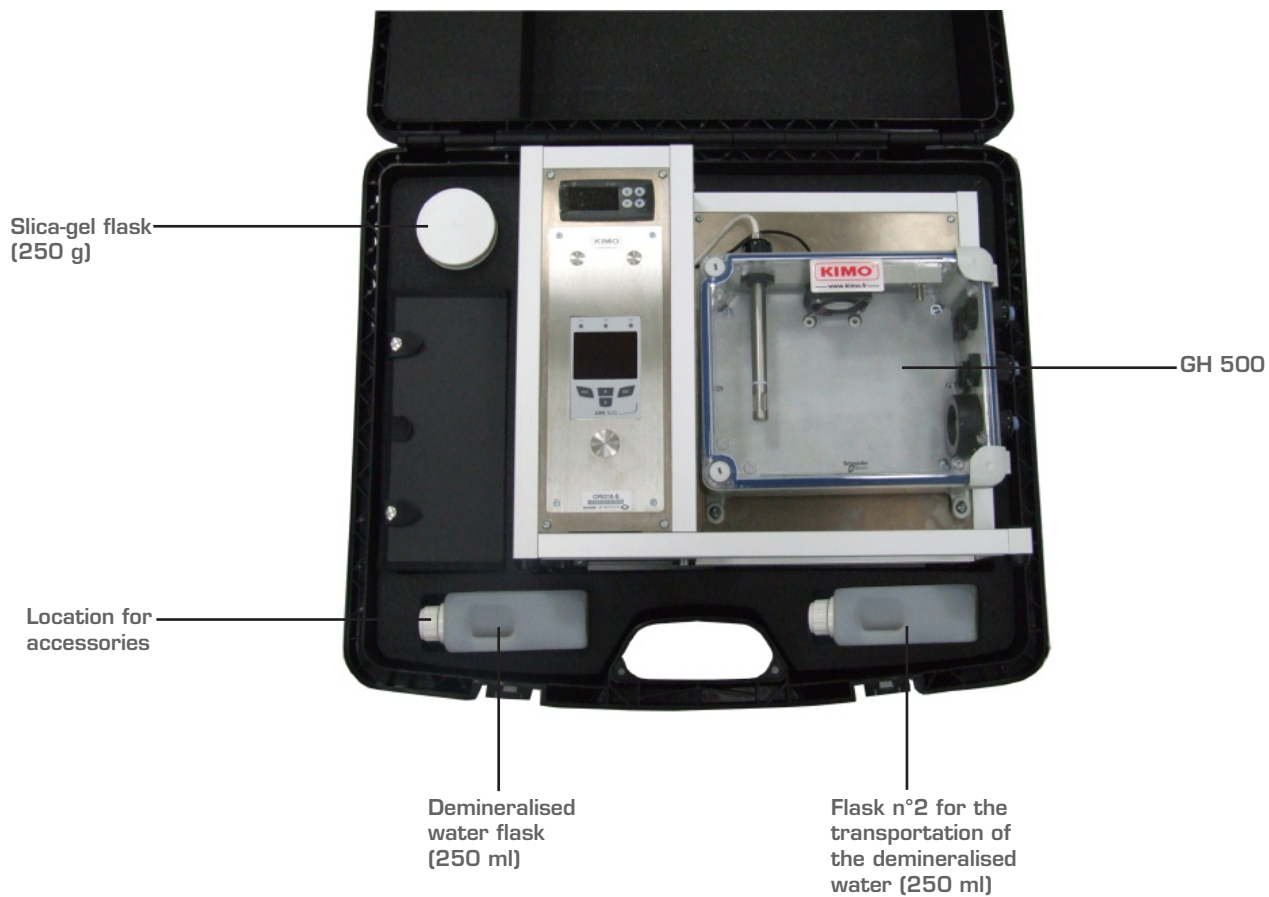
GH500 instrument is the key instrument to adjust and calibrate in ambient air your measuring instruments in hygrometry. Easy-to-use, it will guarantee fast and stable hygrometry generations.



## ACCESSORIES

- Consumables

# TRANSPORT CASE



Fiang - GH500 - 29/09/14 - FCS (24) Périgueux 349 282 095 Non-contractual document - We reserve the right to modify the characteristics of our products without prior notice.

[www.kimo.fr](http://www.kimo.fr)



**EXPORT DEPARTMENT**

Tel : + 33. 1. 60. 06. 69. 25 - Fax : + 33. 1. 60. 06. 69. 29

e-mail : [export@kimo.fr](mailto:export@kimo.fr)

Distributed by :